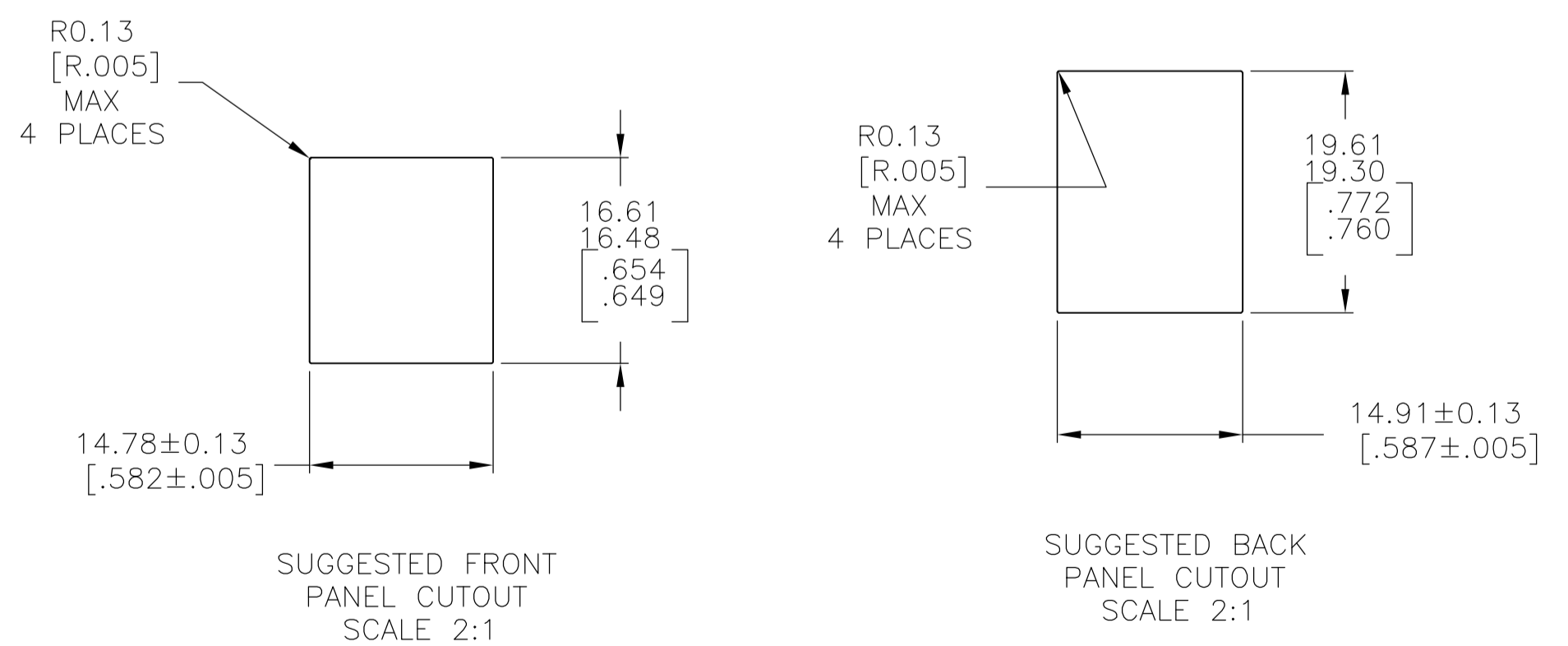
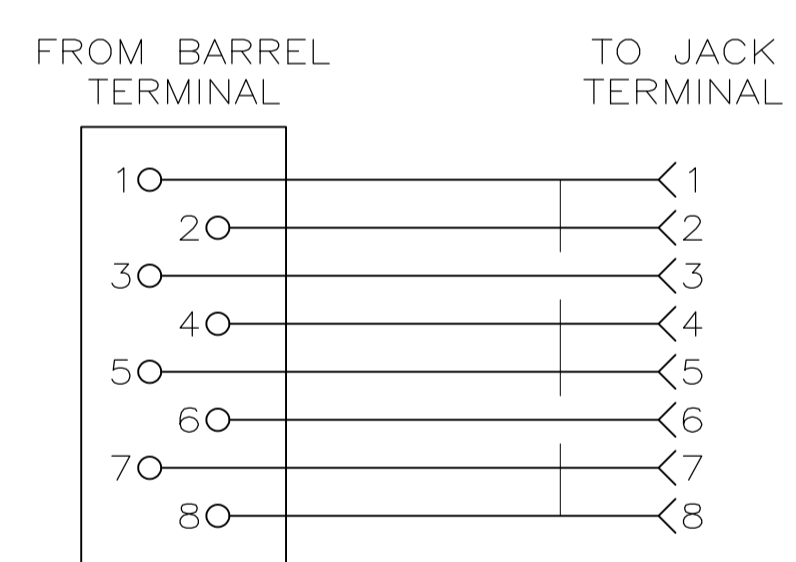
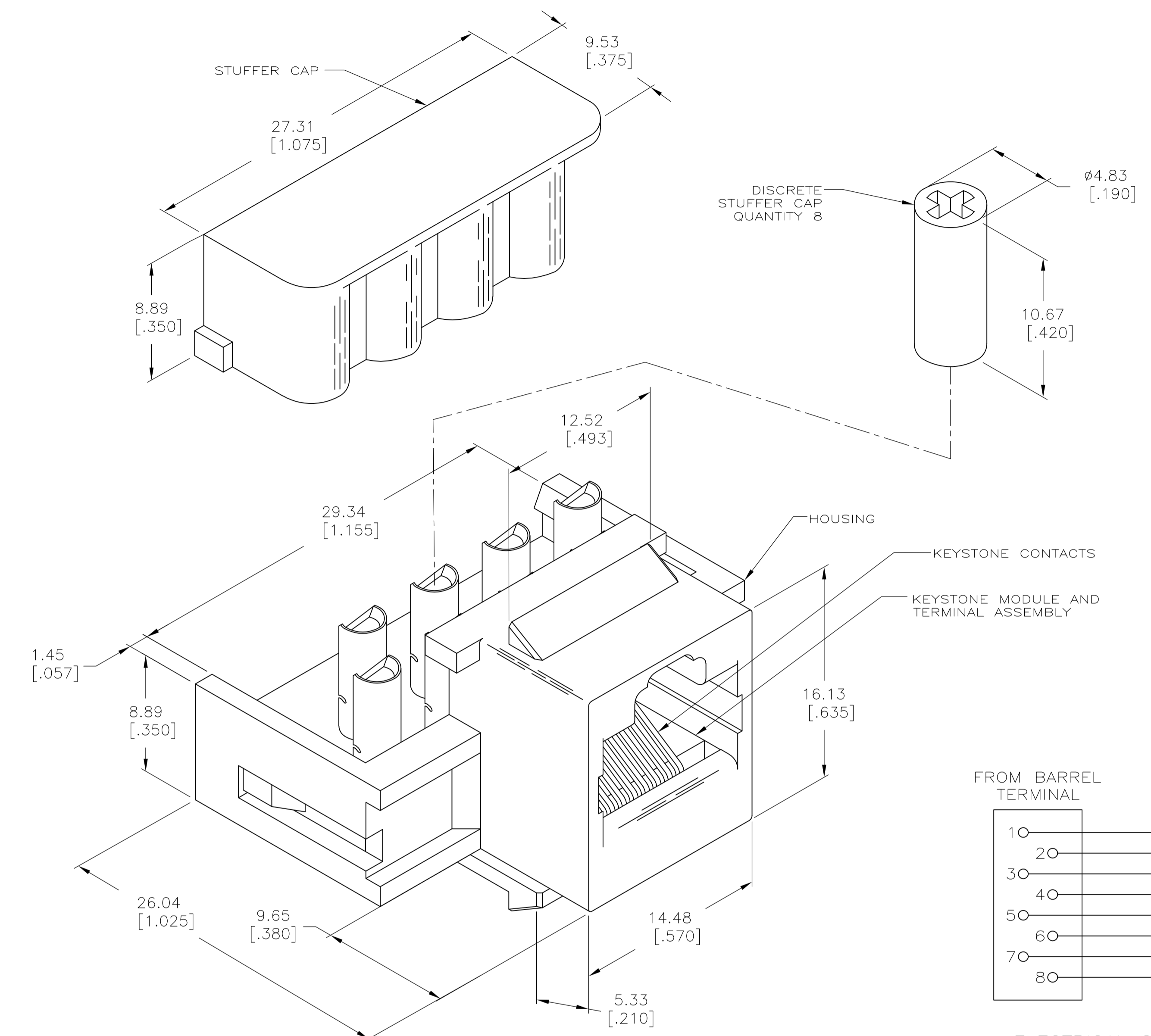


LOC		DIST		REVISIONS			
REV	DATE	DESCRIPTION	DATE	BY	CHK	APPV	
J1	ECO-06-019685		29SEP06	JM		BM	
J2	OBS 5-, REV-ECO-07-025549		19DEC07	LH		SA	



1. BARREL TERMINAL WIRE RANGE: 19-28 AWG SOLID OR STRANDED WIRE. MAXIMUM INSULATION DIAMETER IS 1.65 [.065].
2. MOUNTING PANEL THICKNESS: 1.57 [.062] NOMINAL.
3. MATERIALS:
 8 POSITION STUFFER CAP - POLYCARBONATE, NATURAL.
 DISCRETE STUFFER CAP - NYLON 6/6.
 BARREL TERMINAL - TIN COATED PHOSPHOR BRONZE.
 CONTACTS - NICKEL PLATED HIGH STRENGTH COPPER ALLOY HAVING SELECTIVE GOLD PLATING ON CONTACT AREA AND SELECTIVE TIN PLATING ON BARREL TERMINAL AREA.
 HOUSING AND KEYSTONE - THERMOPLASTIC, 94 V-O RATED, SEE TABLE FOR COLORS.
4. STUFFER CAPS SHIPPED NOT ASSEMBLED.
5. BARREL TERMINALS WILL ACCOMMODATE ONE OR TWO WIRES OF THE SAME TYPE AND WITHIN PLUS OR MINUS ONE WIRE GAUGE SIZE.
6. KIT BULK PACKAGED 200 PER CARTON.

HOUSING COLOR	STUFFER CAP COLOR	WIRE RANGE	DESCRIPTION	PART NO
OBSOLETE BLACK	NATURAL	22-26 AWG	KIT WITH 1 EIGHT POSITION STUFFER CAP	5-554578-5
OBSOLETE LIGHT ALMOND		24-28 AWG	KIT WITH 1 EIGHT POSITION STUFFER CAP	5-554578-4
OBSOLETE BLACK	NATURAL	22-26 AWG	KIT WITH 8 DISCRETE STUFFER CAPS	5-554578-2
OBSOLETE LIGHT ALMOND		24-28 AWG	KIT WITH 1 EIGHT POSITION STUFFER CAP	5-554578-1
BLACK	NATURAL	22-26 AWG	KIT WITH 1 EIGHT POSITION STUFFER CAP	554578-5
LIGHT ALMOND		24-28 AWG	KIT WITH 8 DISCRETE STUFFER CAPS	554578-4
BLACK	NATURAL	22-26 AWG	KIT WITH 1 EIGHT POSITION STUFFER CAP	554578-2
BLACK		24-28 AWG	KIT WITH 8 DISCRETE STUFFER CAPS	554578-1

THIS DRAWING IS A CONTROLLED DOCUMENT.		DIN T. SPRINKLE/UTA 9 MAY 94	Tyco Electronics Corporation	
DIMENSIONS: mm [INCHES]		CHK: N. JONES 16 MAY 94	Harrisburg, PA 17105-3608	
TOLERANCES UNLESS OTHERWISE SPECIFIED:		APPV: C. CHANDLER 16 MAY 94	NAME: KEystone JACK KIT, 8 POSITION, COMMERCIAL	
0 PLC ± -	1 PLC ± -	PRODUCT SPEC	-	
2 PLC ± 0.25 [.01]	3 PLC ± 0.25 [.010]	APPLICATION SPEC	-	
4 PLC ± -	ANGLES ± -	SIZE	CAGE CODE	DRAWING NO
MATERIAL	FINISH	WEIGHT	A1 00779	554578
CUSTOMER DRAWING		SCALE	4:1	SHEET 1 OF 1